

FEATURES

- ※ Compact size 3.5x6 mm
- ※ Sharp click feeling
- ※ Choice of SMT terminal type

APPLICATION

- ※ Audio, OA equipment
- ※ Instrumentation
- ※ Industrial

SPECIFICATION

Contact Rating	50mA, 12V DC
Contact Resistance	100mΩ max.
Insulation Resistance	100MΩ min. 500V DC
Dielectric Strength	250V AC/1 minute
Operating Force	125±50gf, Black(K) 160±50gf, Brown(N) 260±50gf, Red(R) 320±80gf, Salmon(S) 520±130gf, Yellow(Y)
Travel	0.25mm
Operating Life	30,000 cycles for 520/320/260gf 50,000 cycles for 160/125gf
Operating Temp.	-25°C ~ +70°C
Storage Temp.	-30°C ~ +80°C

HOW TO ORDER

D T S □ - 3 □ □ - □ □

□: Through Hole
M: J Bend Outward
ML: S.M.T./Flat
MF: S.M.T./Gull-wing

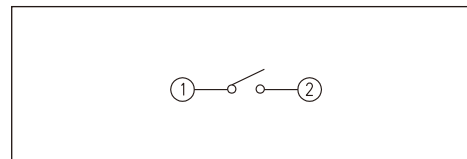
Package:
□=Bag(Through Hole Only)
B=Tube Package(Except DTSMF-3)
T/R=Tape & Reel

V=RoHS & Lead Free Solderable
Q=Halogen Free

Dimension H:
1=4.30mm
2=5.00mm

Operating Force:
K=Black, 125gf
N=Brown, 160gf
R=Red, 260gf
S=Salmon, 320gf
Y=Yellow, 520gf >Not Available For Halogen Free

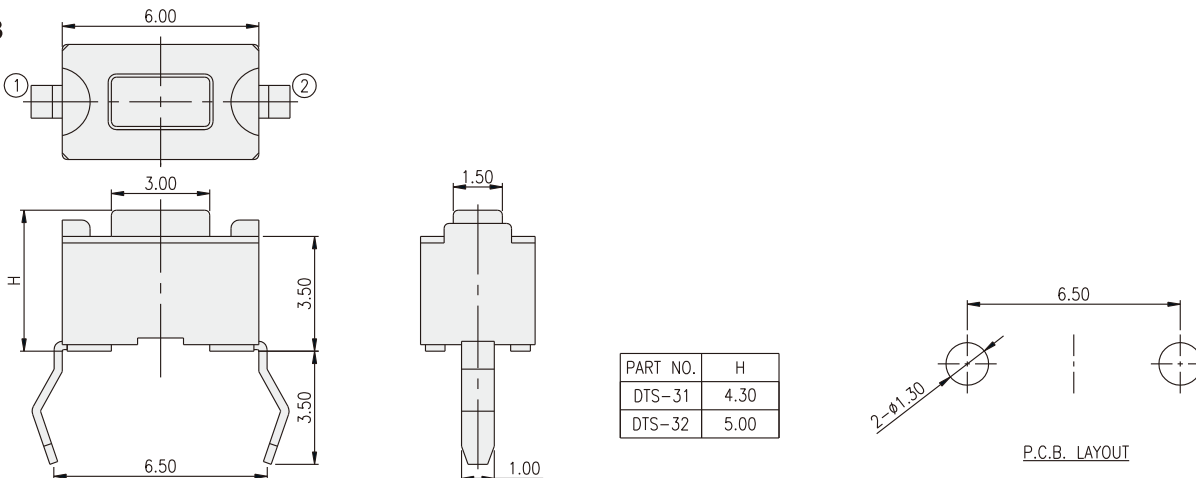
CIRCUIT



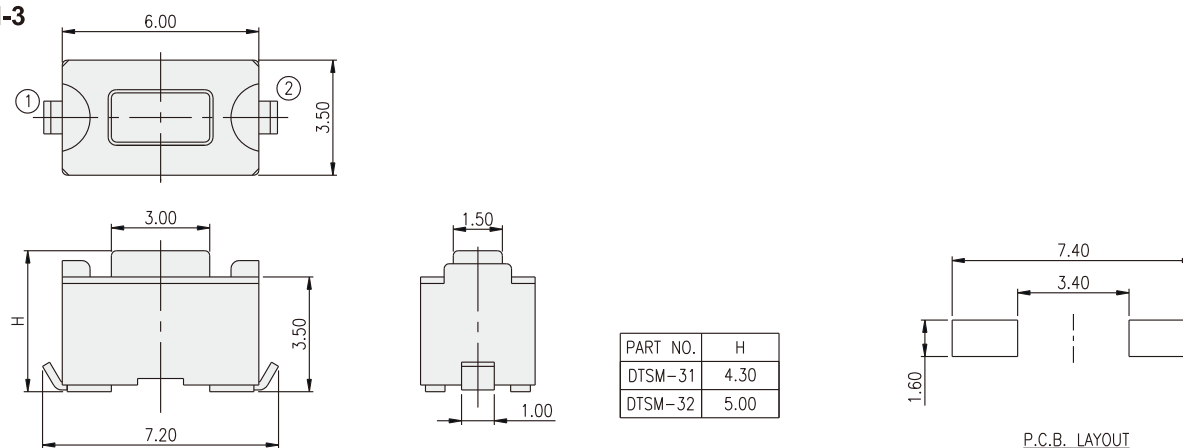
PACKAGE

- <Tube>
DTS(M)(L)-3: 135 pcs
- <Bulk>
1000 pcs
- <Tape & Reel>
DTSM(L)(F)-31: 1800 pcs
DTSM(L)(F)-32: 1600 pcs

DTS-3



DTSM-3



DTSMML-3

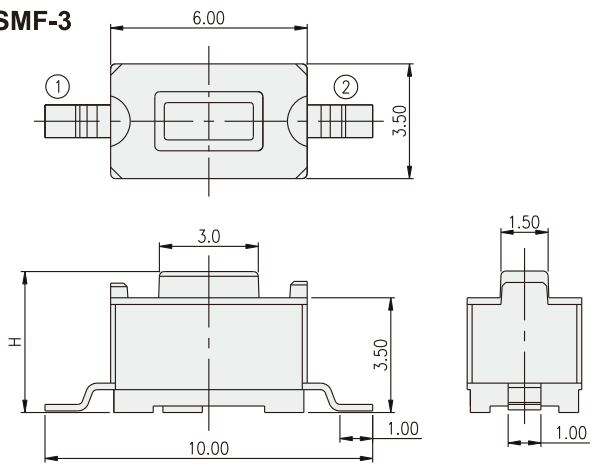


PART NO.	H
DTSMML-31	4.30
DTSMML-32	5.00

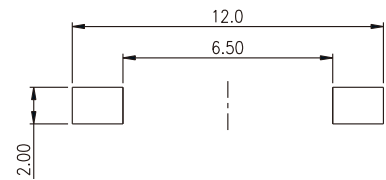


P.C.B. LAYOUT

DTSMF-3



PART NO.	H
DTSMF-31	4.30
DTSMF-32	5.00



P.C.B. LAYOUT

Mouser Electronics

Authorized Distributor

Click to View Pricing, Inventory, Delivery & Lifecycle Information:

Diptronics:

[DTS-32K-V-B](#) [DTSML-32S-V-T/R](#) [DTSMF-31N-V-T/R](#) [DTSM-32K-V-T/R](#) [DTSM-31S-V-T/R](#) [DTSM-32S-V-T/R](#)
[DTSMF-31R-V-T/R](#) [DTSMF-32R-V-T/R](#) [DTSML-32N-V-T/R](#) [DTSMF-32N-V-T/R](#) [DTSM-32R-V-T/R](#) [DTSM-31N-V-T/R](#)
[DTSML-32R-V-T/R](#) [DTSM-31R-V-T/R](#) [DTSML-32Y-V-T/R](#) [DTSM-32N-V-T/R](#) [DTSML-31S-V-T/R](#) [DTSM-31Y-V-T/R](#)
[DTSML-31R-V-T/R](#) [DTS-32R-V-B](#) [DTSML-31N-V-T/R](#) [DTS-31N-V-B](#) [DTS-31S-V-B](#) [DTS-32S-V-B](#) [DTS-31Y-V-B](#)
[DTS-31R-V-B](#) [DTS-32Y-V-B](#) [DTS-32N-V-B](#)